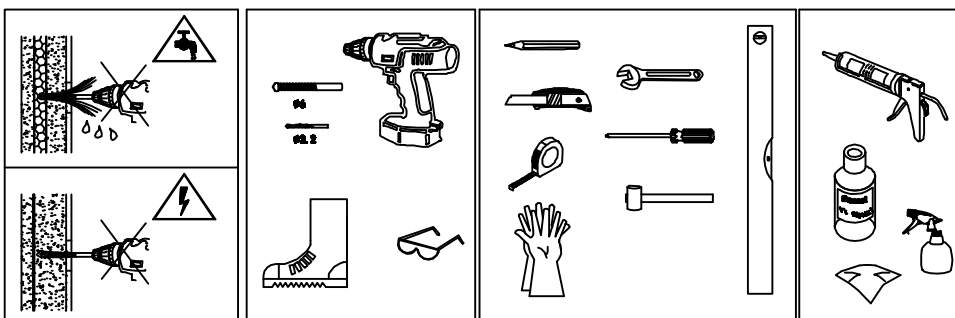
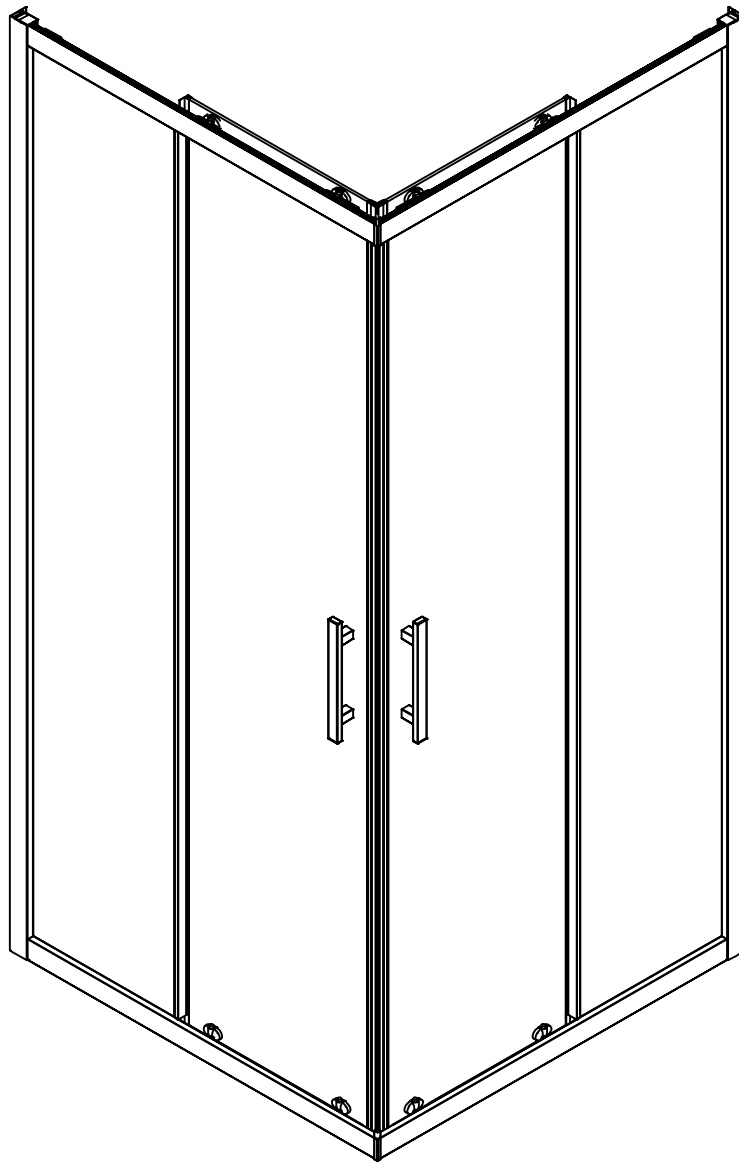
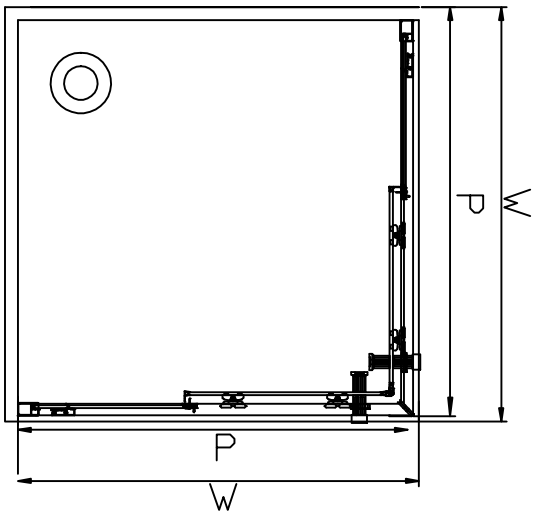
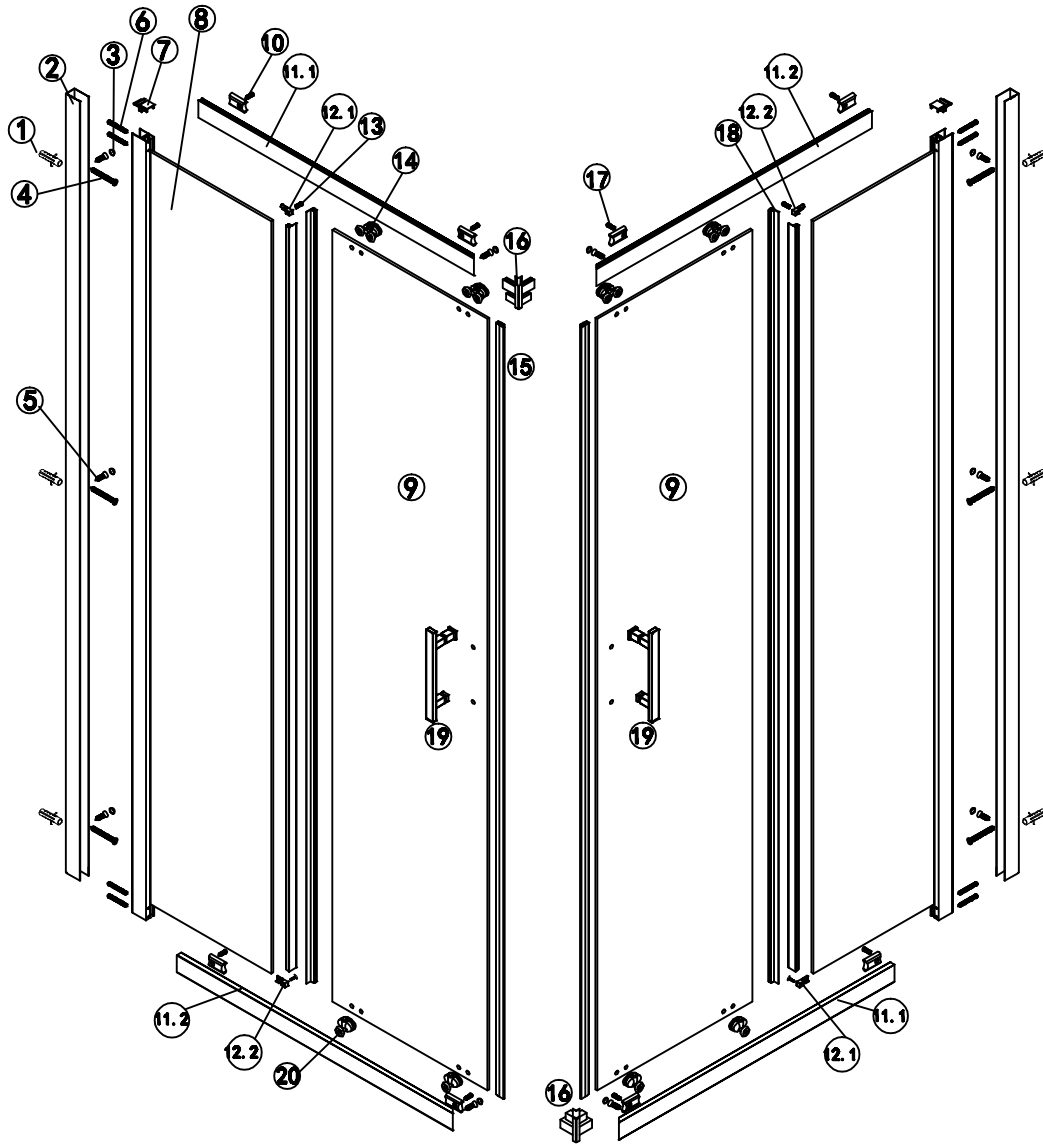


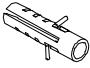
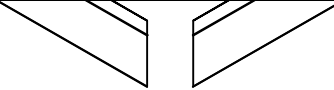










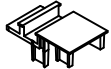

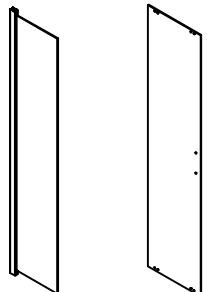
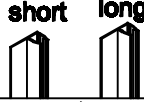



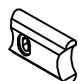


new louve square slider

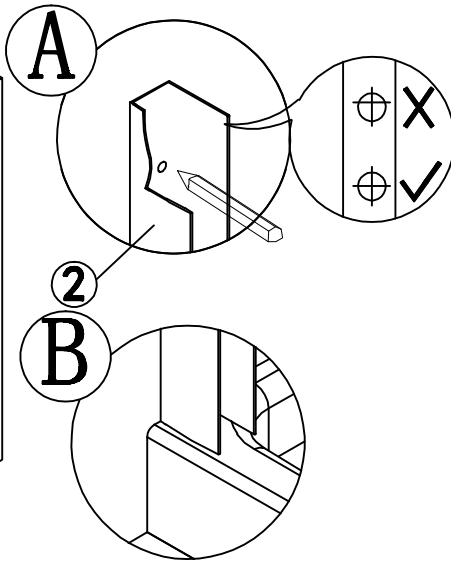
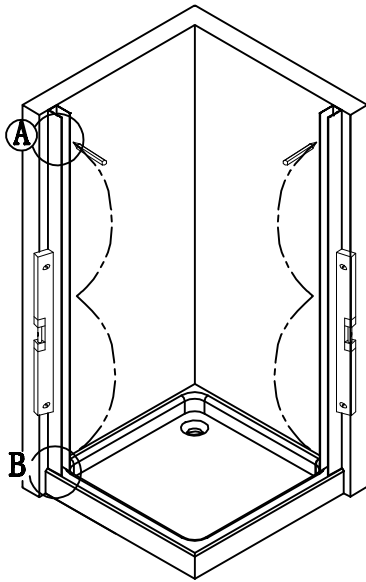




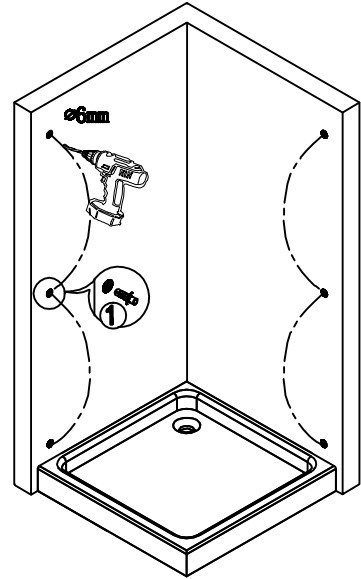
	P	W
900x900	850-875	900
1000x1000	950-975	1000

NO.	Designation	Pieces	NO.	Designation	Pieces
1	 $\phi 6$	x6	11.1 11.2		x2 x2
2		x2	12.1 12.2		x2 x2
3		x10	13	 \oplus ST4*10	x4
4	 \oplus ST4*35	x6	14		x4
5	 \oplus ST4*10	x10	15		x2
6	 \oplus ST4*35	x8	16		x2
7		x2	17	 \oplus ST4*12	x8
8		x2	18.1 18.2	 short long	x2 x2
			19		x2
9		x2	20		x4
10		x8			

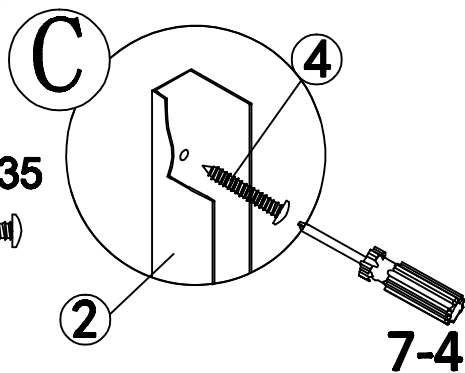
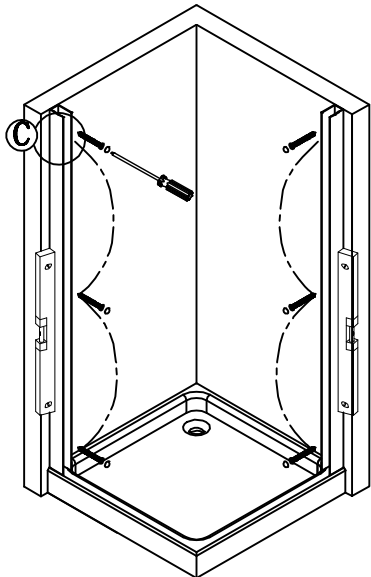
Step 1



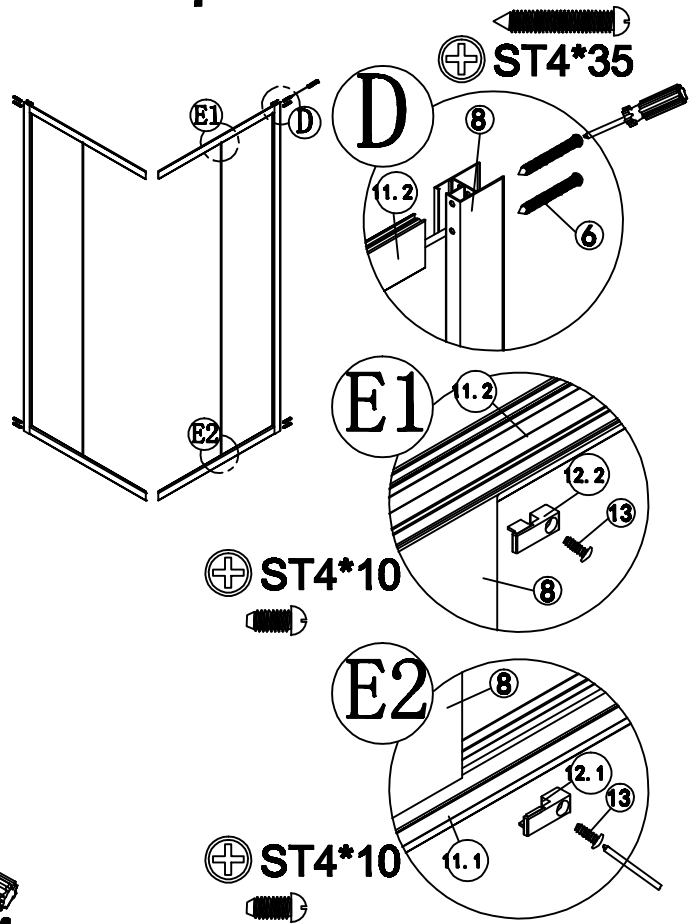
Step 2



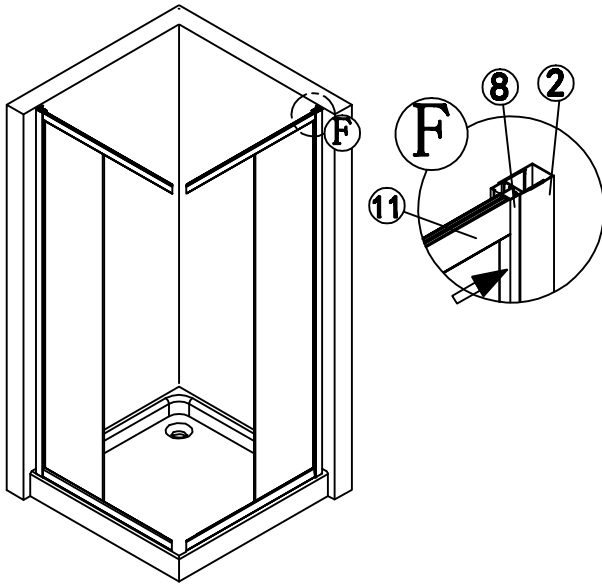
Step 3



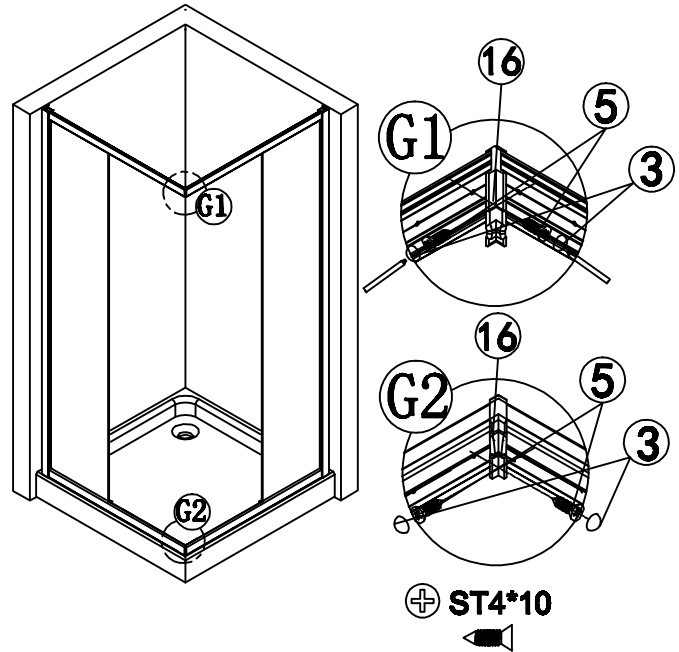
Step 4



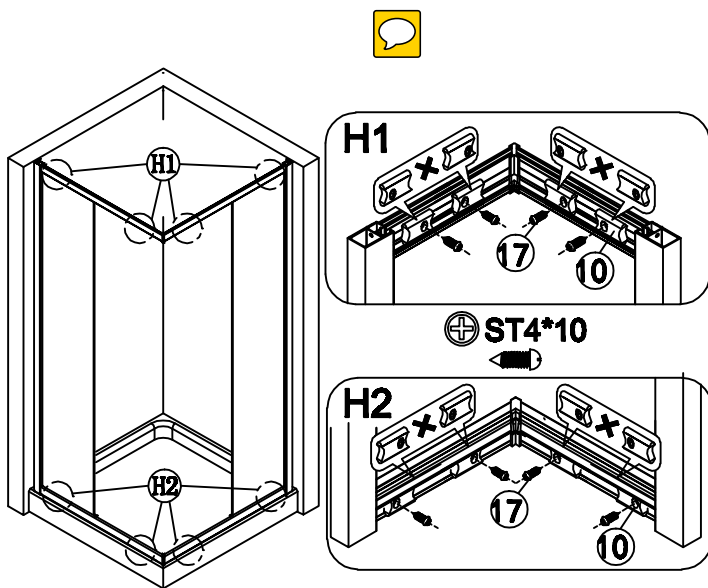
Step 5



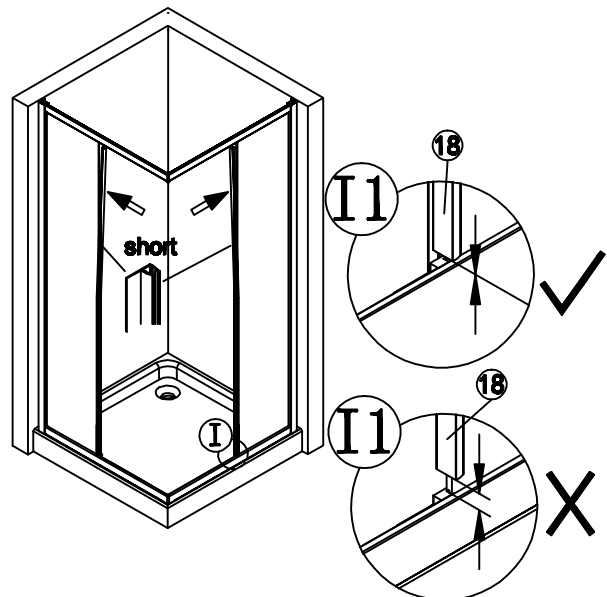
Step 6



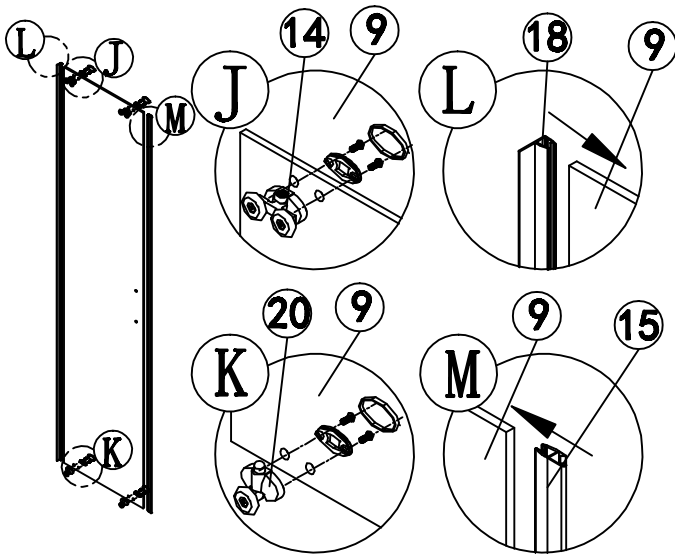
Step 7



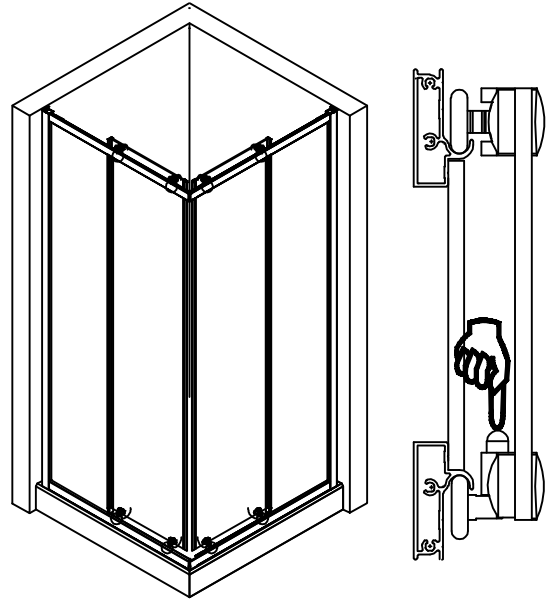
Step 8



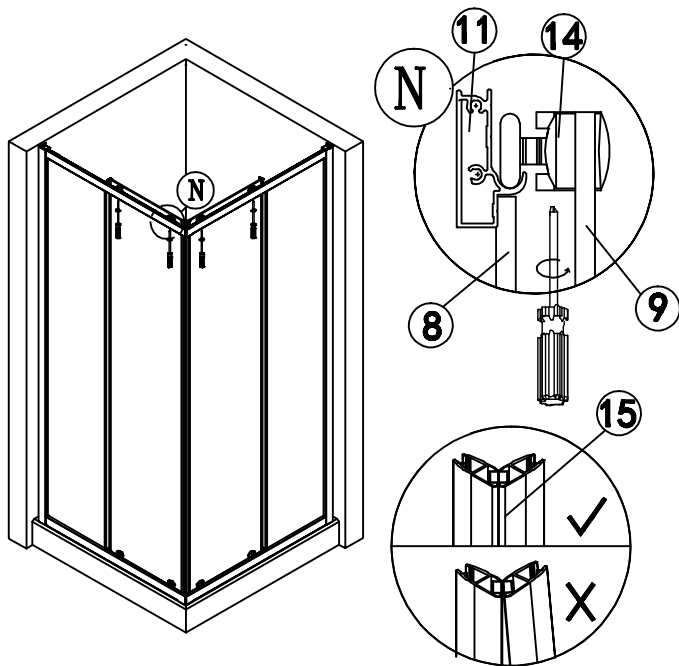
Step 9



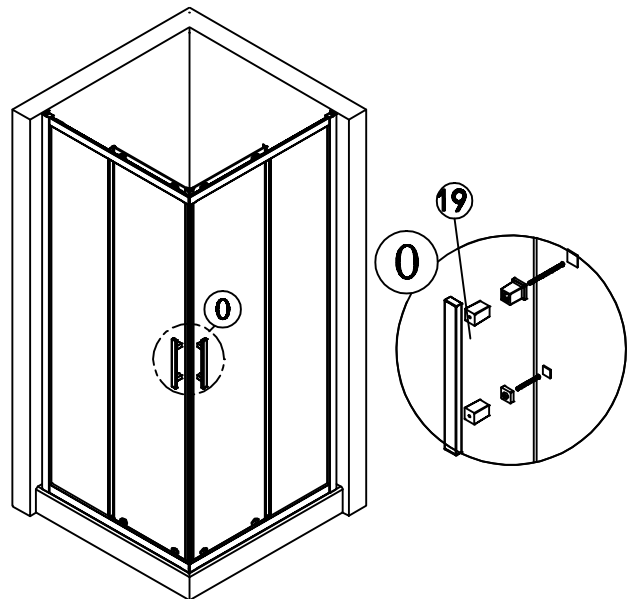
Step 10



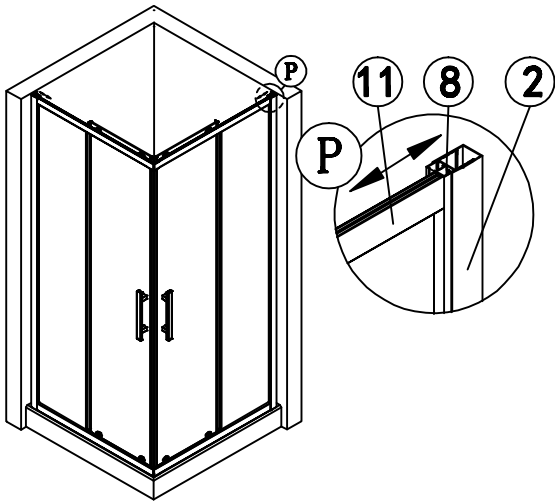
Step 11



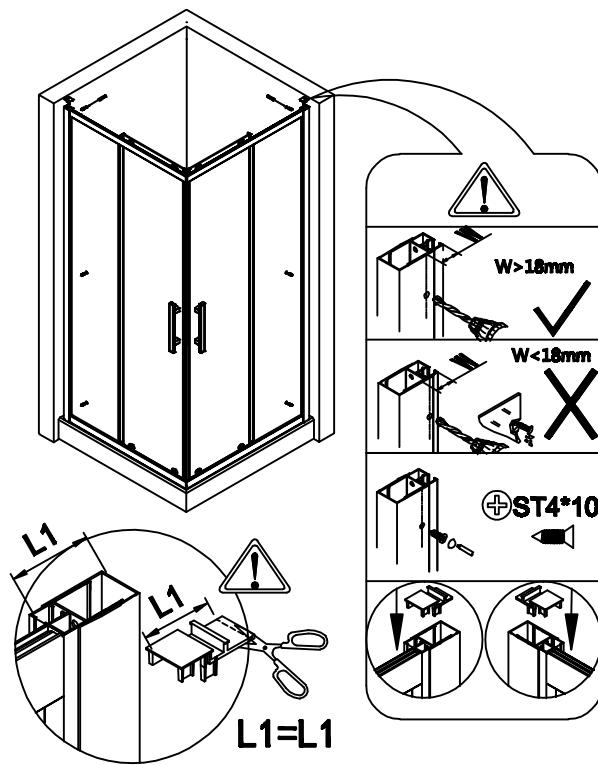
Step 12



Step 13



Step 14



Step 15

